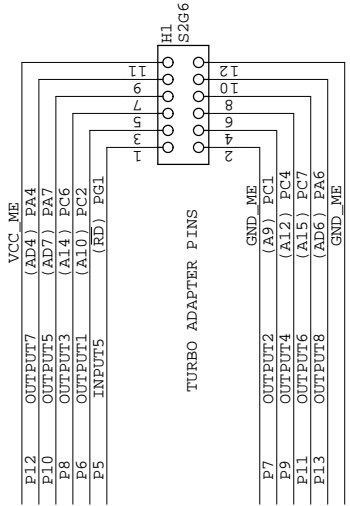
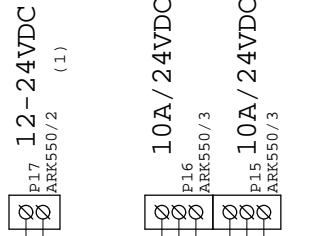


TURBO ADAPTER PINS

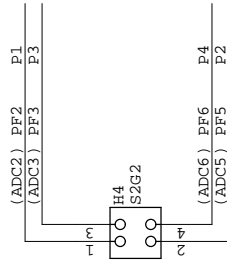
MAX. VCC_ME CURRENT IS LIMITED TO APPROX. 40mA DEPENDING ON MODEL !



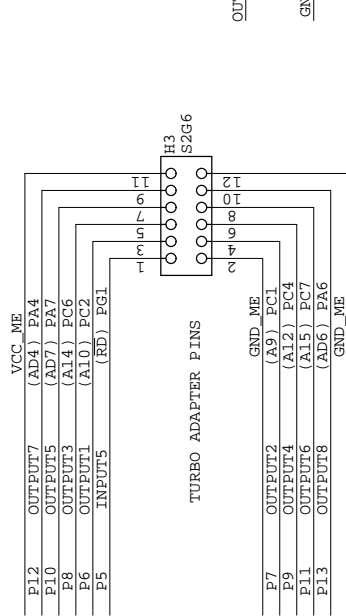
12-30V RELAY



MAX. CURRENT (SOURCE/SINK) IS 24mA ON EACH PIN P1 - P13
 SUM ON ALL PINS P1 - P13 MAX. 150 mA



TURBO ADAPTER PINS



MAX. VCC_ME CURRENT IS LIMITED TO APPROX. 40mA DEPENDING ON MODEL !

MAX. CURRENT (SOURCE/SINK) IS 24mA ON EACH PIN P1 - P13
 SUM ON ALL PINS P1 - P13 MAX. 150 mA

Sheet Name	ALARM_MOBO_RELAY
Size	A4
Library	bxac51mb
REV	1
Date:	@SCH_FILE_DATE
Sheet	2 / 2